





SMART ENERGY STORAGE OES SERIES

OES-5/OES-10/OEX-10

**INTELLIGENT, LONG-LASTING
AND ECONOMICAL**

 <p>Support DC Load</p> <p>Alternative port for generator and critical load</p>	 <p>Ready for Wind Input</p> <p>Ready for wind controller input to expand the system to wind turbine</p>	 <p>IP63 Protection</p> <p>IP63 dust proof for various working conditions</p>	 <p>Remote Monitoring</p> <p>Monitoring your system remotely via smartphone app or web portal</p>
---	--	--	---

ANYTIME, ANYWHERE
REMOTE MONITORING PLATFORM

Monitor system performance in real-time via smartphone app or web portal using our advanced monitoring platform. Even more, you can maintain your system via our smart platform.



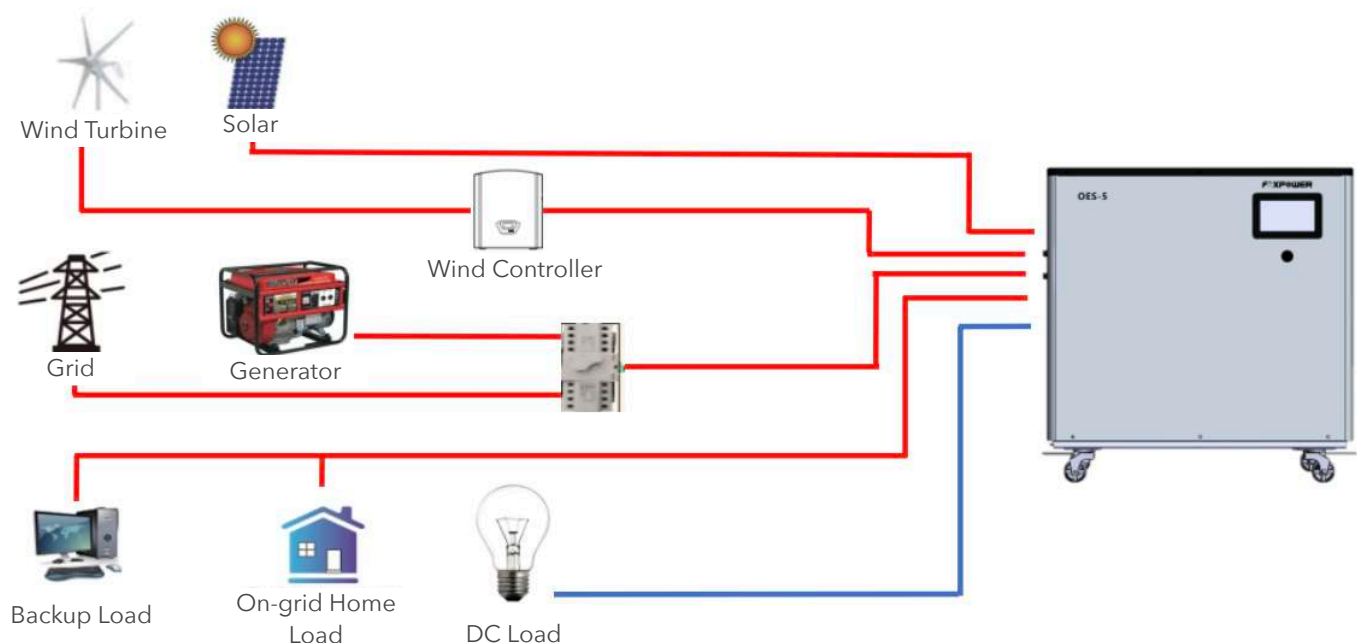
Intelligent, Long-lasting and Economical - All In One!

The OES series smart energy storage system is a high-tech storage system which combination of a PV system and a Foxpower LiFePO4 battery will allow you to cover about 75% of your yearly energy requirement with self-produced and clean energy. Since your energy is being generated on your roof and not by some anonymous energy provider you are more independent than before. So take your energy future into your own hands and reduce your energy costs to a minimum. The decision for a Foxpower smart energy storage system is also a decision for the highest standards in safety and quality. With storage size 3kW with 5kWh, 3kW with 10kWh or 5kW with 10kWh, Foxpower smart storage system will provide a detached house, a multi-family house.



- ✔ Split phase output
- ✔ IP63 Protection
- ✔ MPPT solar input
- ✔ Power save mode reduce idle consumption
- ✔ Premium guarantee 5 years
- ✔ Wheels mounted
- ✔ Battery priority to optimize solar use
- ✔ High power density
- ✔ Ready for wind controller input
- ✔ Designed & engineered for small places
- ✔ Auto Generator Start (AGS) Function
- ✔ Lifecycle 4500 @80% DOD

Basic System Architecture



Technical Data	OES-5 OES-5E	OES-10 OES-10E	OEX-10 OEX-10E
Rated Energy Capacity	5.12kWh	10.24kWh	10.24kWh
Battery Rated Capacity	100Ah	200Ah	200Ah
Rated Charge Voltage	56.0Vdc±0.4Vdc	56.0Vdc±0.4Vdc	56.0Vdc±0.4Vdc
Max Charge Voltage	56.8Vdc±0.4Vdc	56.8Vdc±0.4Vdc	56.8Vdc±0.4Vdc
Overcharge Protection	58.4Vdc±0.4Vdc	58.4Vdc±0.4Vdc	58.4Vdc±0.4Vdc
Battery Type	LiFePO4 Battery	LiFePO4 Battery	LiFePO4 Battery
AC Input Voltage Range	184~254Vac (Narrow) 140~270Vac (Wide)	184~254Vac (Narrow) 140~270Vac (Wide)	184~254Vac (Narrow) 140~270Vac (Wide)
Max. Charging Current	50A	100A	100A
Max. Discharging Current	100A	200A	200A
Max PV Input Power	2080W	4160W	4160W
PV Input Voltage Range	50Vdc~108Vdc	50Vdc~108Vdc	50Vdc~108Vdc
Max PV Open Circuit Voltage	150Vdc	150Vdc	150Vdc
AC Output			
Rated AC Output Power	3kW	3kW	5kW
Surge Rating (20S)	9kW	9kW	15kW
Capable of Starting Electric Motor	3HP	3HP	5HP
Output Waveform	Pure Sine Wave	Pure Sine Wave	Pure Sine Wave
Nominal Efficiency	>91% (Peak)	>91% (Peak)	>91% (Peak)
Line Mode Efficiency	>95%	>95%	>95%
Output Voltage	120Vac/240Vac split phase 230Vac single phase	120Vac/240Vac split phase 230Vac single phase	120Vac/240Vac split phase 230Vac single phase
Output Frequency	50Hz/60Hz (auto sensing)	50Hz/60Hz (auto sensing)	50Hz/60Hz (auto sensing)
Grid Type	Split phase or Single phase	Split phase or Single phase	Split phase or Single phase
Output Voltage Regulation	±10% RMS	±10% RMS	±10% RMS
Typical Transfer Time	10ms (max)	10ms (max)	10ms (max)
THD	<10%	<10%	<10%
General			
Cooling	Fan Cooling	Fan Cooling	Fan Cooling
Dimension (D*W*H)	55*53*35cm (22*21*14inch)	55*88*35cm (22*35*14inch)	55*88*35cm (22*35*14inch)
Net Weight	80kg (176lbs)	100kg (220lbs)	110kg (242lbs)
Shipping Dimension (D*W*H)	80*70*50cm (32*28*20inch)	80*110*50cm (32*44*20inch)	80*110*50cm (32*44*20inch)
Shipping Weight	90kg (198lbs)	120kg (264lbs)	130kg (286lbs)
Protections	Short circuit, Over voltage, Over current, Over charge		